

DATA SHEET for self-acting valves

Design office
"Mangione Consulting"

Customer:

Address:

Phone/fax:

E-mail:

Request number: Date:

Compressor type: Manufacturer no:

Compressor operation mode:

Reciprocating compressor technical characteristics

Capacity, kg/hr	<input style="width: 100%; height: 20px;" type="text"/>	Shaft rotational speed, rpm	<input style="width: 100%; height: 20px;" type="text"/>
Capacity, nm ³ /hr	<input style="width: 100%; height: 20px;" type="text"/>	Connecting rod working length, mm	<input style="width: 100%; height: 20px;" type="text"/>
Piston stroke, mm	<input style="width: 100%; height: 20px;" type="text"/>	Driven motor power, kW	<input style="width: 100%; height: 20px;" type="text"/>

Parameter Description	Compressor Compression Stage					
	I	II	III	IV	V	VI
Single cylinders quantity						
Double cylinders quantity						
Cylinder diameter, mm						
Rod diameter (HE/CE), mm						
Suction pressure, bar(a)						
Discharge pressure, bar(a)						
Suction temperature, °C						
Discharge temperature, °C						
Inlet valves quantity, (HE/CE)						
Outlet valves quantity, (HE/CE)						
Relative hazardous volume, % (HE/CE)						

Compressed gas description and composition, %

Molecular weight, kg/mole	<input style="width: 100%; height: 20px;" type="text"/>	Density, kg/m ³	<input style="width: 100%; height: 20px;" type="text"/>
---------------------------	---	----------------------------	---

Additional data

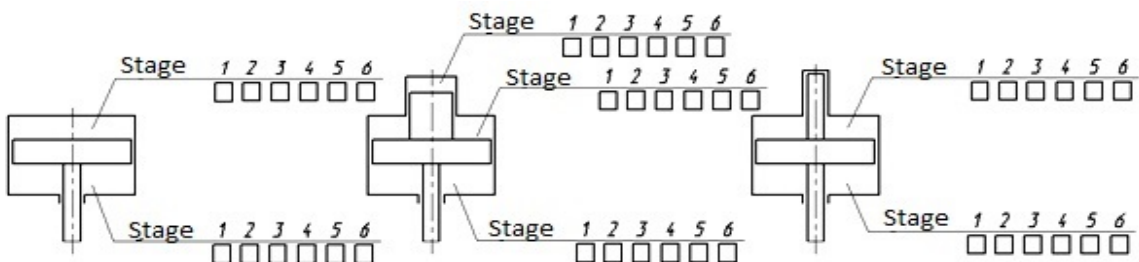
Cylinder lubrication, (Yes/No)

Solid particles in gas:

Special additional requirements:

Gas relative humidity, %

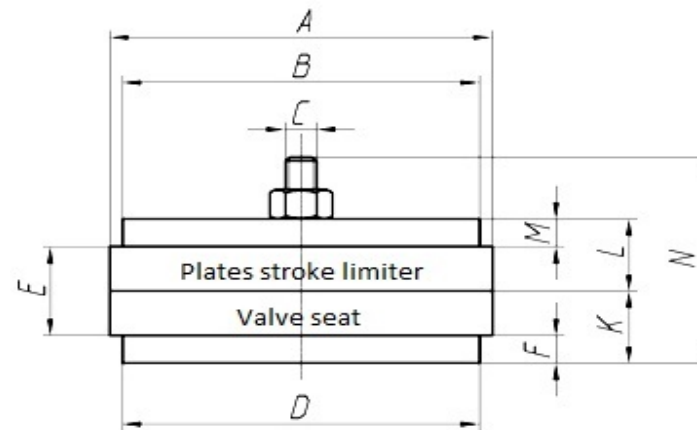
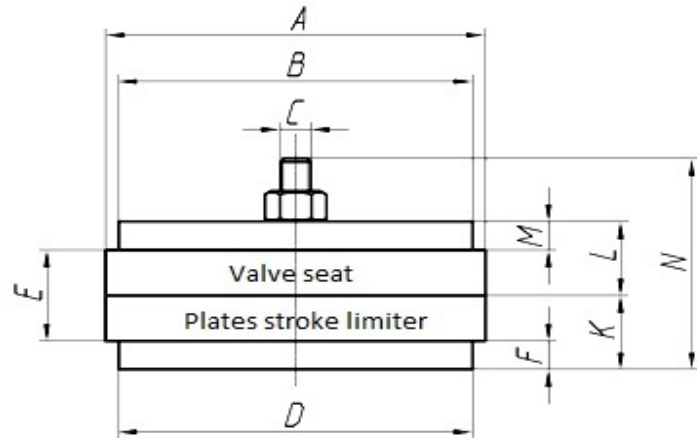
Specify stage number of compressor cylinder



Completed by: _____

Data Form 1

Closed type valves



Valves dimensions

Inlet (suction) valve

Size, mm	Compressor stages					
	I	II	III	IV	V	VI
A						
B						
C						
D						
E						
F						
K						
L						
M						
N						

Outlet (discharge) valve

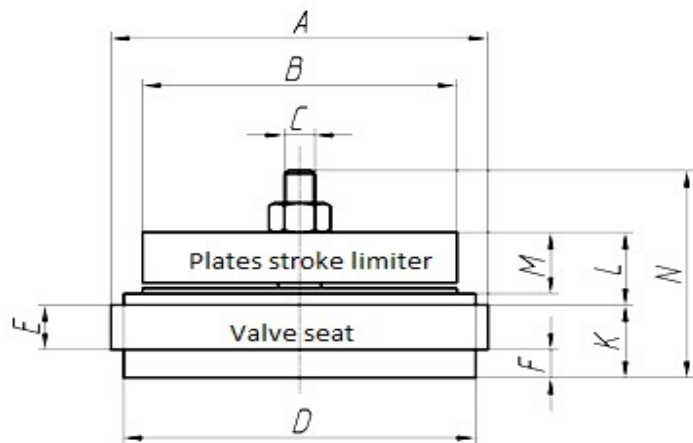
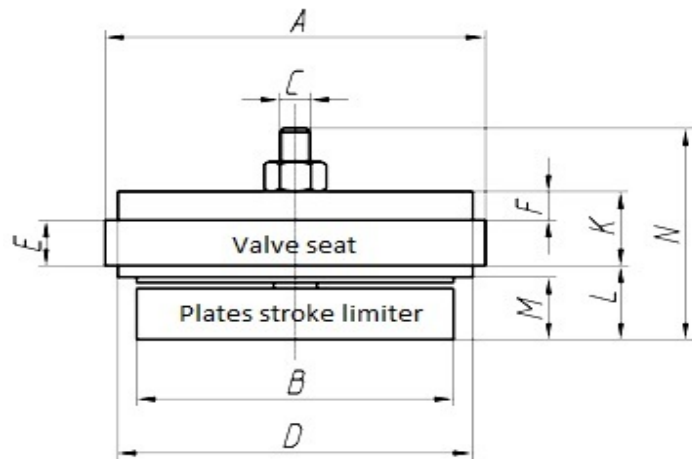
Size, mm	Compressor stages					
	I	II	III	IV	V	VI
A						
B						
C						
D						
E						
F						
K						
L						
M						
N						

Completed by: _____

Data Form 2

Open type valves

Габаритные размеры клапанов



Inlet (suction) valve

Size, mm	Compressor stages					
	I	II	III	IV	V	VI
A						
B						
C						
D						
E						
F						
K						
L						
M						
N						

Outlet (discharge) valve

Size, mm	Compressor stages					
	I	II	III	IV	V	VI
A						
B						
C						
D						
E						
F						
K						
L						
M						
N						

Completed by: _____